



Patented

Maintenance and Spare Parts

Applies to product version - August 2012
File: Maintenance-2

For more information :- www.eezilaunch.co.za

Contact Us



www.eezilaunch.co.za

Telephone: +27 11 393 6318

Fax: +27 11 393 6319

sales@eezilaunch.co.za

P.O.Box 8397

Edleen

1625

Sales and Marketing

Patrick Dittberner

patrick@eezilaunch.co.za

Cell: +27 72 400 8028

Maintenance

Every now and again it is worth just doing a quick visual check to make sure your rollers/slide on your trailer have not moved out of alignment.

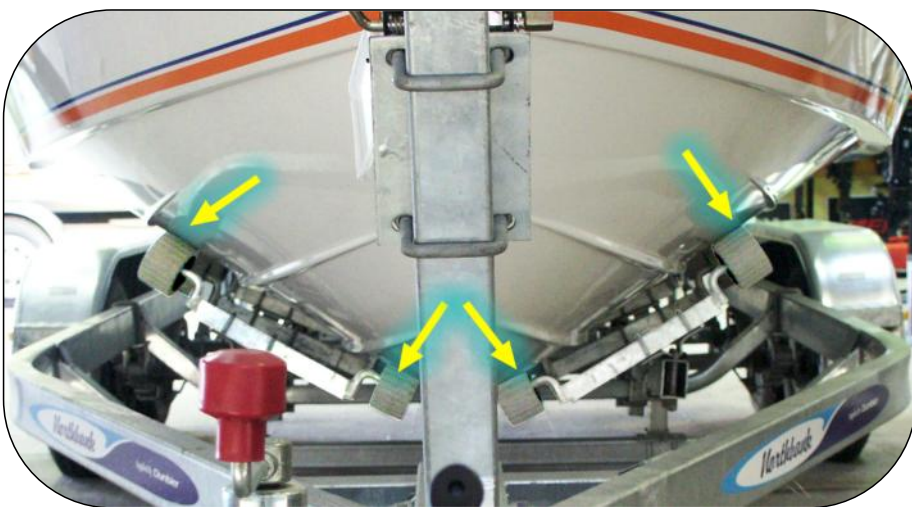


Aligning the Trailer rollers

This is critical for the product to work properly.

This is critical for the product to work properly. Think of it as accurately guiding the Snare on the front of the boat, to the Latch on the trailer.

If the boat Snare is not guided to the Latch you aren't going to be able to 'capture' the boat. Adjust the rollers/slides so that they properly position the boat on the **centreline of the trailer.**



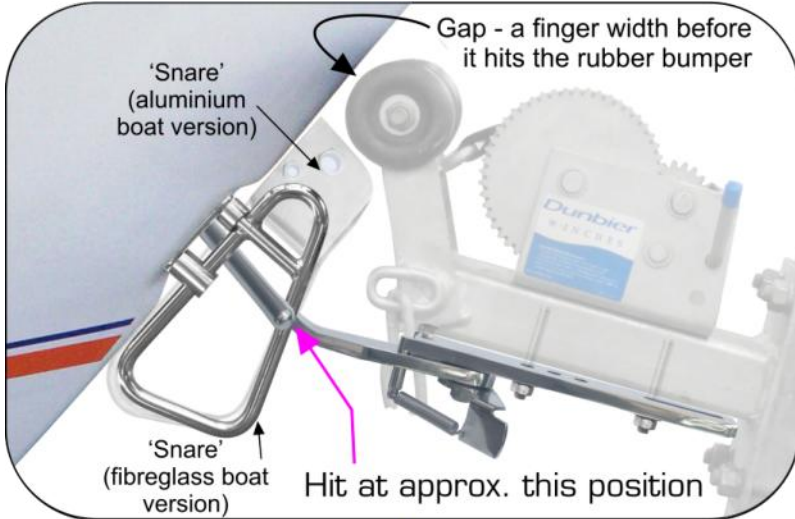
It is quite common for the rollers/slides to be out of alignment.

If you want your trailer and the L & R™ Boat Latch to work properly and smoothly, take the time to be sure this is right.

See Installation document for more details of how to ensure your boat is properly aligned on the trailer.

Maintenance

Adjusting the Latch relative to the Snare - this should be OK if it was installed properly but may have been moved out of alignment if trailer alignment adjustments have altered.



Adjusting the Latch relative to the Snare

Note the relative positions of the rubber roller/bumper, the point that the snare hits the latch, and the gap between the boat and the rubber roller/bumper.

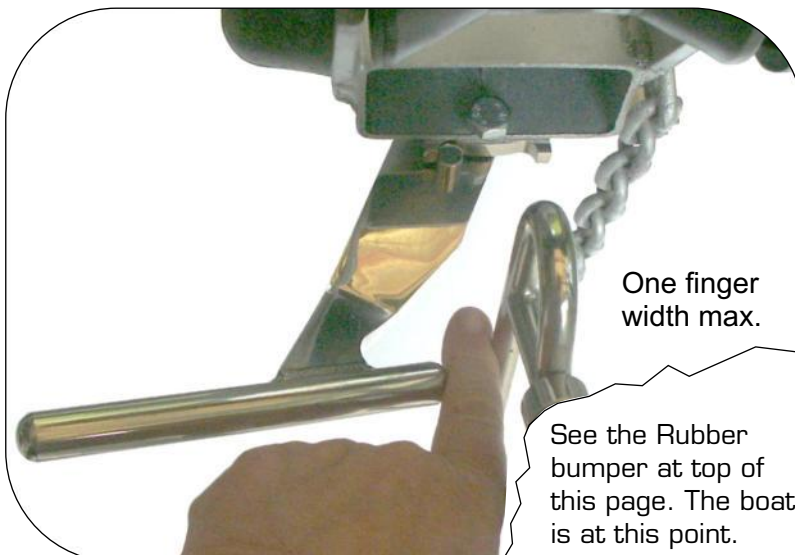
Adjust the relative positions if required. See more info. under "Detail Install" on web site.



Adjusting the Latch relative to the Snare ..the 'Finger Test' [1]

When the boat is fully forward, touching the rubber roller or bumper, you should be able to put your finger, as shown in the photo, between the latch and the snare.

Important : On some trailers you may have to move the roller/bumper so as to let the boat come forward sufficiently.



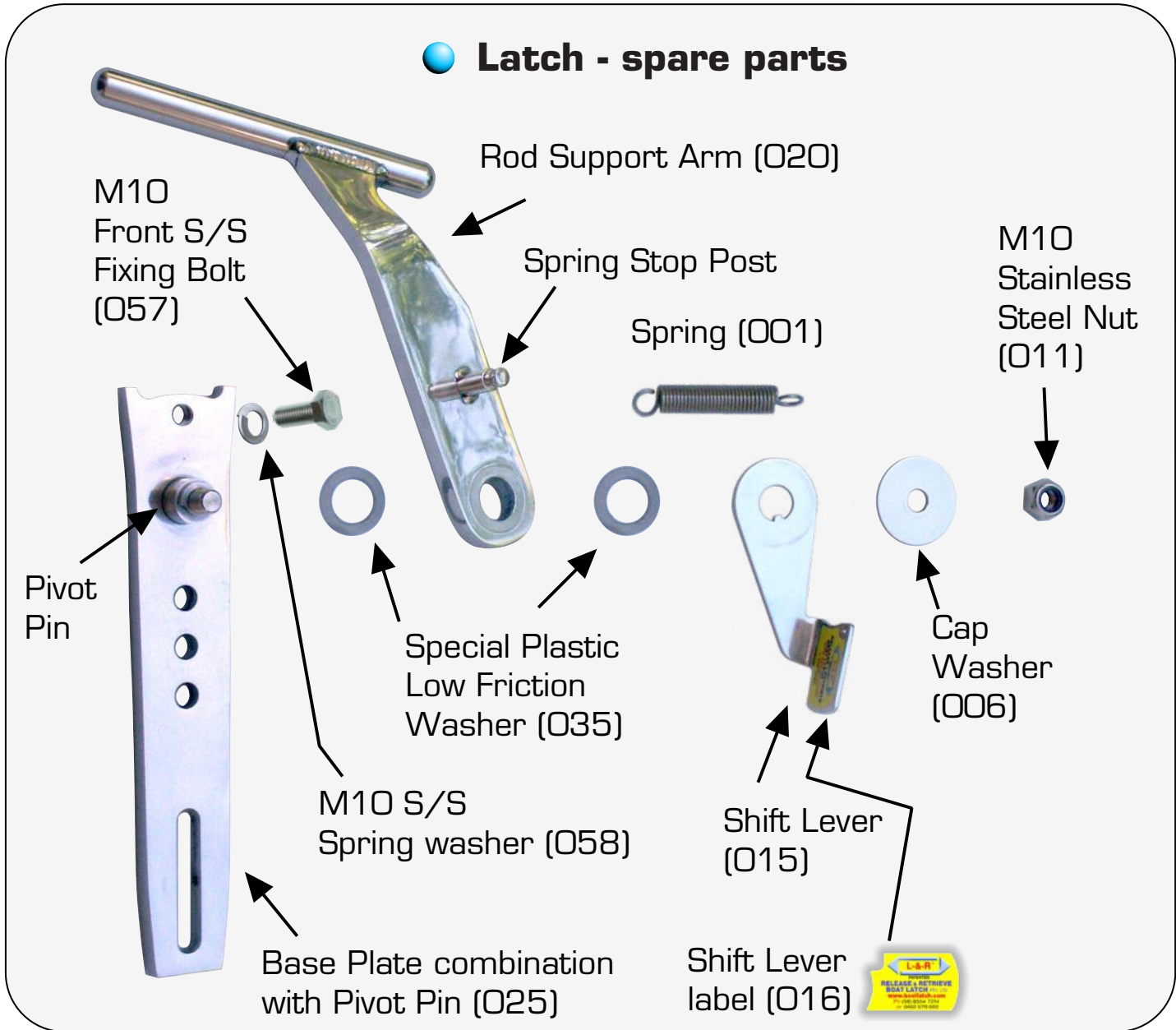
The 'Finger' Test [2]

The Latch should move aside to give a finger spacing as shown in the photo.

Note: the Snare, on the boat should be central - if it is not the boat may not be centrally aligned on the trailer.
See Page 2.

Maintenance

Latch - spare parts



"Latch Support" option (081)



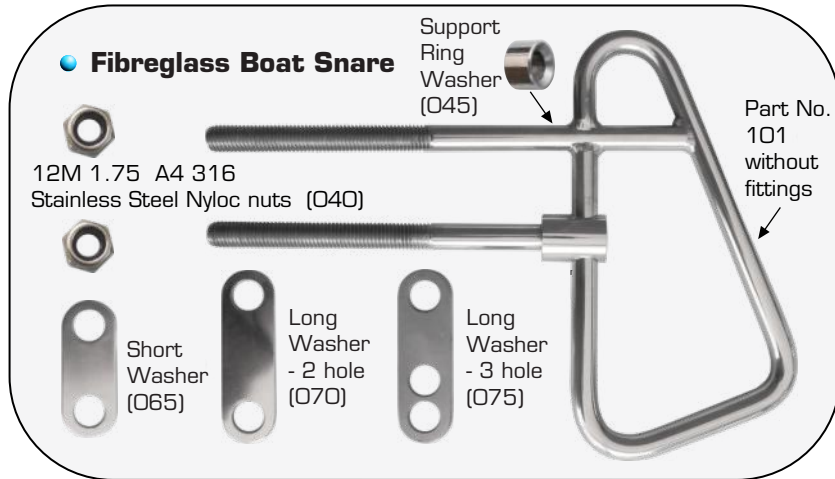
"Wedge Side Plates" option (082)



- 001 - Spring (version 2)
- 006 - Cap washer (version 2)
- 011 - M10 Nyloc Stainless nut (version 2)
- 015 - Shift Lever (version 2)
- 020 - Rod Support Arm (version 2)
- 025 - Base Plate (version 2 - includes Pivot Pin)
- 035 - Plastic low friction washer
- 057 - M10 Set Screw Front Fixing Bolt 10x16 mm
- 110 - Latch - complete
- 081 - Latch Support
- 082 - Wedge Side Plates

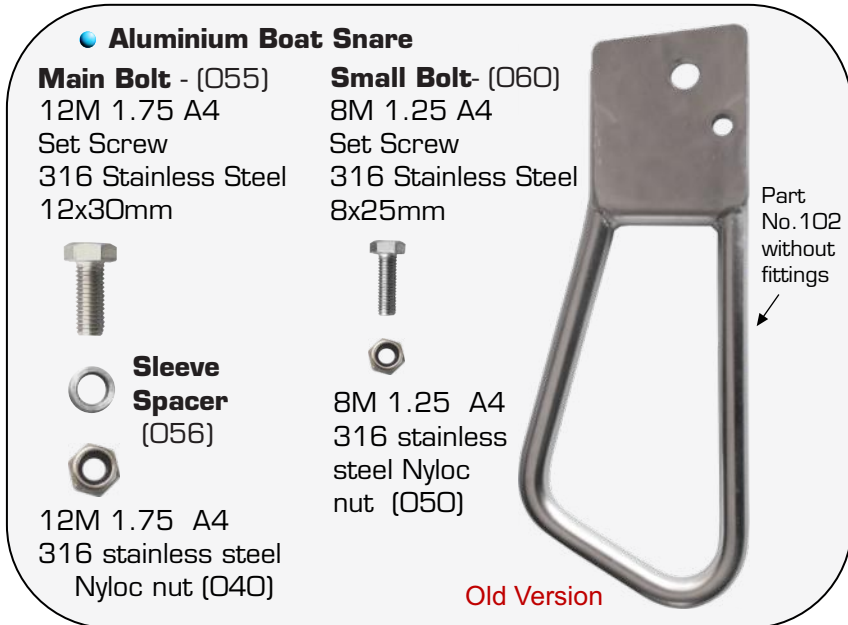
If you need a spare part these details allow you to clearly identify the part you require with the description and part number.

Maintenance



- 040 - M12 Nyloc nuts 1.75 A4 316 S/S
 - 045 - Snare Support Ring Washer (F/G)
 - 065 - Snare Washer - short
 - 070 - Snare Washer - long - 2 hole
 - 075 - Snare Washer - long - 3 hole
 - 101 - Fibreglass Snare with no fittings
 - 103 - Fibreglass Snare with fittings
- Optional Parts
- 172 - Snare Washer - 40 mm centres
 - 173 - Snare Washer - 60 mm centres

If you need a spare part these details allow you to clearly identify the part you require with the description and part number.



- 040 - M12 Nyloc nuts 1.75 A4 316 S/S
- 050 - 8M 1.25 A4 Nyloc nut S/Steel
- 055 - 12M 1.75 S/S Set Screw 12x30mm
- 056 - Sleeve Spacer
- 060 - 8M 1.25 S/S Set Screw 8 x 25mm
- 102 - Aluminium Snare with no fittings
- 104 - Aluminium Snare with fittings



Grease on Assembly

You must grease all contacting parts on assembly. Stainless steel will 'bind' badly if you do not lubricate.

Need to use high quality grease (yes that awful black stuff).

The arm must be totally free to move with resistance otherwise it will not work properly.



Patented

The Bar Code System

Each item has a 3 digit reference number

Box pack - Latch with Fibreglass Snare
933915300 111 6

Model 1 Latch variation-1 with Fibreglass Snare

9 339153 001116

GSI Company Prefix Item Reference Number Check Digit

Box pack - Latch with Aluminium Snare
933915300 112 3

Model 1 Latch variation-1 with Aluminium Snare

9 339153 001123

L & R Model 1 Aluminium Snare variation-1

9 339153 001024

Aluminium Snare - with no fittings
933915300 102 4

L & R Model 1 Fibreglass Snare variation-1

9 339153 001017

Fibreglass Snare - with no fittings
933915300 101 7

L & R Boat Latch Spare Part
Latch Support Version 2

9 339153 000812

Latch Support Option - 933915300 081 2

We show here some common parts that you may come across

L & R Boat Latch Spare Part
Wedge Plates

9 339153 000829

Wedge Plates Option - 933915300 082 9

L & R Boat Latch Spare Part
-
Spring for Version 1+

9 339153 000010

Spring for Latch - 933915300 001 0